

NOTES (UNLESS OTHERWISE SPECIFIED):

1. SWITCH CHARACTERISTICS:

REST POSITION: .730 TO .790  
 PRETRAVEL: .125 MAX.  
 OPERATING POSITION: .610 TO .710  
 OVER-TRAVEL: .100 MIN.  
 MOVEMENT DIFF: .075 MAX.  
 OPERATING FORCE grams: 737 MAX.

BUTTON POSITION AT FULL OVERTRAVEL: .520 MAX.

ALL CHARACTERISTICS ARE TAKEN AT THE ACTUATION LINE AND MEASURED FROM THE REFERENCE LINE.

CHEAT INTERLOCK CHARACTERISTICS:

REST POSITION: .730 TO .790  
 PRETRAVEL: .155 MAX.  
 OPERATING POSITION: .800 TO .900  
 OVER-TRAVEL: .030 MIN.  
 MOVEMENT DIFF: .090 MAX.  
 FULL OVERTRAVEL: .980 MAX.  
 OPERATING FORCE grams: 800 MAX.

2.  ELECTRICAL RATING:

10 A, 125/250 VAC  
 1/3 HP, 125/250 VAC.

 10(4) A 250V, 50E3, 40T85.

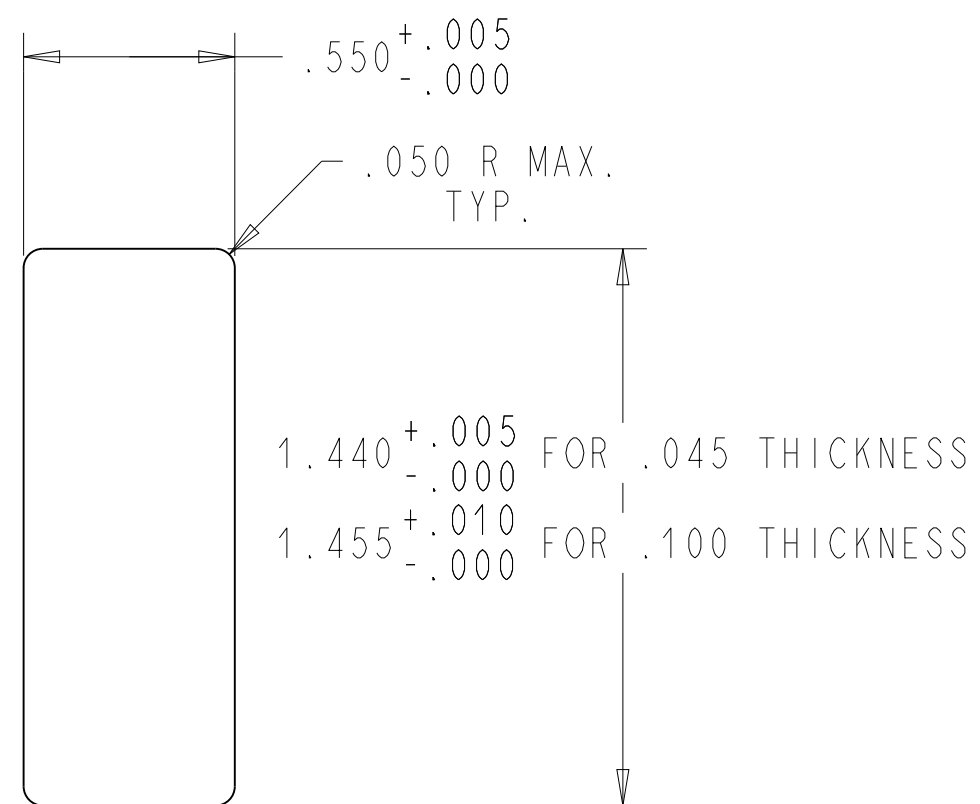
3. TERMINALS:

ARE .187 WIDTH x .032 THICKNESS.

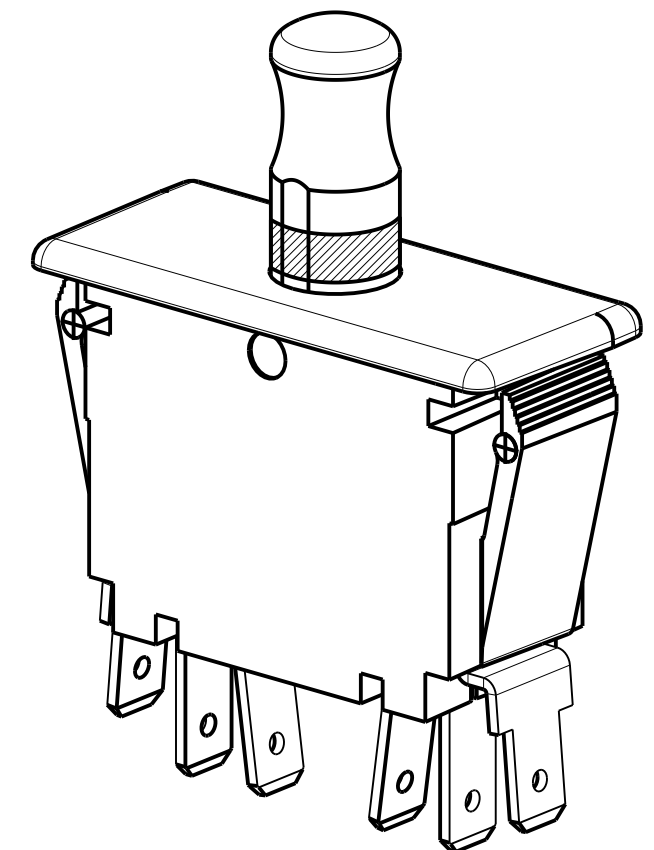
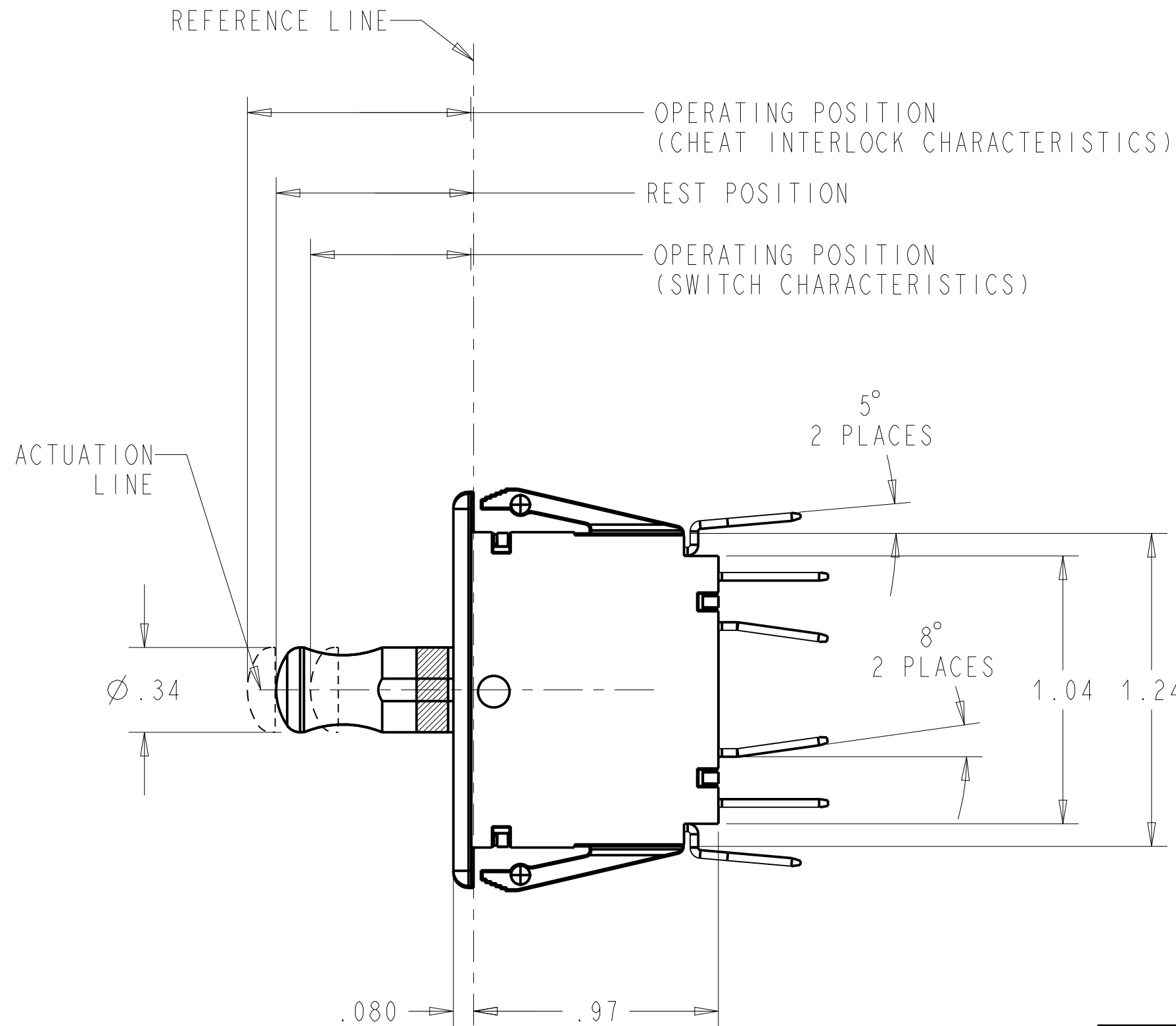
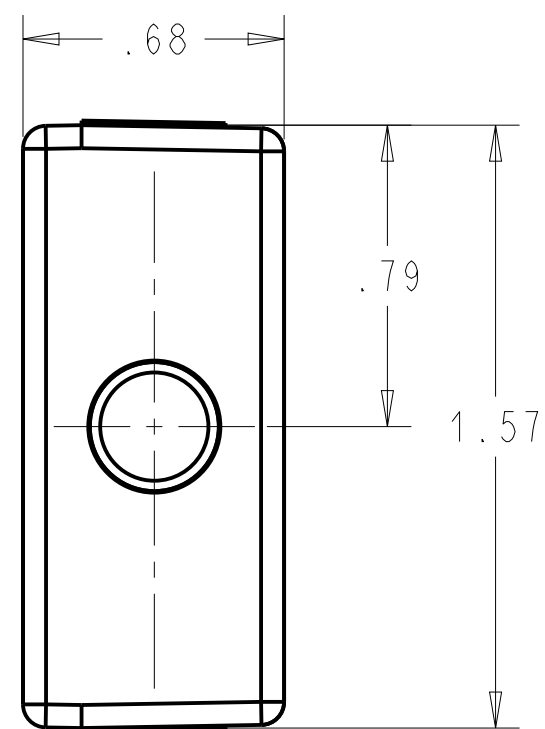
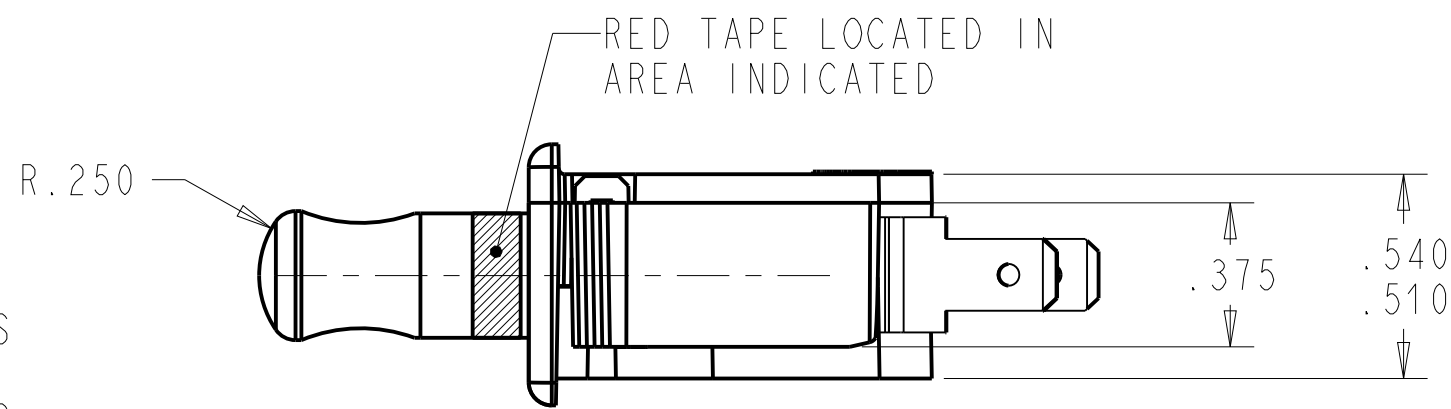
4. RECOGNIZED TO U.S. AND CANADIAN REQUIREMENTS UNDER THE COMPONENT RECOGNITION PROGRAM OF UNDERWRITERS LABORATORIES, INC.


5. TEMPERATURE RATING:  
 -40°C TO +85°C





PANEL CUTOUT DETAIL  
 RECOMMENDED  
 PANEL THICKNESS  
 .045-.100



DWN: MM		CONFIDENTIAL AND PROPRIETARY: ALL INFORMATION OR INVENTIONS CONTAINED IN THIS DOCUMENT OR DERIVED FROM THE INFORMATION THEREIN IS OWNED BY ZF ELECTRONIC SYSTEMS, AND IS CONFIDENTIAL AND PROPRIETARY. REVIEW OR POSSESSION OF THIS DOCUMENT INDICATES AGREEMENT THAT SUCH INFORMATION AND INVENTIONS WILL NOT BE DISCLOSED, REPRODUCED OR OTHERWISE USED IN ANY WAY WITHOUT EXPRESS WRITTEN PERMISSION FROM AN AUTHORIZED REPRESENTATIVE OF ZF ELECTRONIC SYSTEMS.		 ZF Electronic Systems	
APVD: GJP		11200 88th AVE. PLEASANT PRAIRIE, WI 53158		NAME / DESCRIPTION	
DATE: 23-Apr-96		THIRD ANGLE PROJECTION		SPECIFICATION DRAWING	
PROJECT/ CSR		TOLERANCE UNLESS SPECIFIED		C ITEM NO. OF79-34B0	
DWG UNITS		INCHES		SCALE: 2:1	
REV		ECO NO.		SH 1 OF 1	
DATE		PREP			
APVD		ELL			
PROJECT/ CSR		DWG UNITS		SCALE: 2:1	
4000000138		INCHES		SH 1 OF 1	
		± 0.02			
		± 0.015			
		± 5.0 °			

ORIGINAL ON PRO/E